

## EXERCISES

### I/ Choose the correct answer

0. What's this ? a. It's a eraseer. <b>b.</b> It's an eraser. c. It's eraser.1..	3. Who's this ? a. He's my sister. b. He's my brother. c. He my brother.	6. Are these her socks ? a. No, they are. b. No, she isn't. c. No, they aren't.
1. What's your name ? a. He's Tim. b. She's Tim. c. I'm Tim.	4. What are these ? a. They're pant. b. They're pans. c. They're pants.	7. Where are Dad and Mom? a. They're in the living room. b. They're in the living room. c. They're in living room.
2. Is he a policeman? a. Yes, he is. b. Yes, she is. c. Yes, I am.	5. Where's the ball ? a. It's in the bag. b. It's in bag. c. Its in the bag.	8. How old are you ? a. I'm fine. b. I'm five. c. I'am five.

### II/ Correct the sentences and rewrite

0. Hello, my name's rosy.

Hello, my name's Rosy.

1. How are you ? I'm five.

\_\_\_\_\_

2. It's a elephant.

\_\_\_\_\_

3. She's her uncle.

\_\_\_\_\_

4. This is my T – shirts.

\_\_\_\_\_

5. Where are the bedroom ?

\_\_\_\_\_

6. What's your favorite toy ? It's red.

\_\_\_\_\_



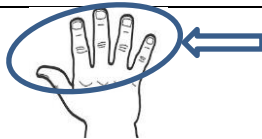




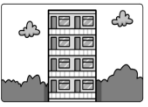

7. I want an icecream.

\_\_\_\_\_



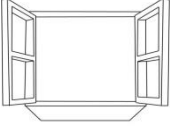

8. Are these his shoe?

\_\_\_\_\_

**III/ Read and tick ✓ the correct box**

<p>0. <input type="checkbox"/> a. It's a book.  <input checked="" type="checkbox"/> b. It's a bag.</p>	
<p>1. <input type="checkbox"/> a. It's a eraser.  <input type="checkbox"/> b. It's an eraser.</p>	
<p>2. <input type="checkbox"/> a. These are my finges.  <input type="checkbox"/> b. These are my fingers.</p>	
<p>3. <input type="checkbox"/> a. It's sunny.  <input type="checkbox"/> b. It's raining.</p>	
<p>4. <input type="checkbox"/> a. He's my grandpa.  <input type="checkbox"/> b. He's my brother.</p>	
<p>5. <input type="checkbox"/> a. Open your book.  <input type="checkbox"/> b. Close your book.</p>	
<p>6. <input type="checkbox"/> a. These are pant.  <input type="checkbox"/> b. These are pants.</p>	
<p>7. <input type="checkbox"/> a. I live in an apartment.  <input type="checkbox"/> b. I live in a house.</p>	
<p>8. <input type="checkbox"/> a. She's a farmer.  <input type="checkbox"/> b. He's a farmer.</p>	

**IV/ Unscramble the words**

 0. xob - box	 1. bulremla _____ 4. rendu _____	 2. diwonw _____ 5. sone _____	 3. panlomcei _____ 6. neque _____
---	--	--	---

## ANSWER KEY


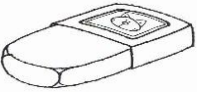
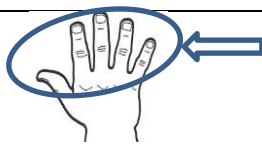


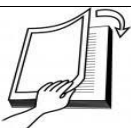

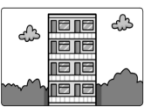

### I/ Choose the correct answer

0. What's this ? a. It's a eraser. <b>b.</b> It's an eraser. c. It's eraser.1..	3. Who's this ? a. He's my sister. <b>b.</b> He's my brother. c. He my brother.	6. Are these her socks ? a. No, they are. b. No, she isn't. <b>c.</b> No, they aren't.
1. What's your name ? a. He's Tim. b. She's Tim. <b>c.</b> I'm Tim.	4. What are these ? <b>a.</b> They're pants. b. They're pans. c. They're pant.	7. Where are Dad and Mom? <b>a.</b> They're in the living room. <b>b.</b> They're in the living room. c. They're in living room.
2. Is he a policeman? <b>a.</b> Yes, he is. b. Yes, she is. c. Yes, I am.	5. Where's the ball ? a. Its in the bag. b. It's in bag. <b>c.</b> It's in the bag.	8. How old are you ? a. I'm fine. <b>b.</b> I'm five. c. I'am five.


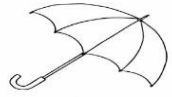
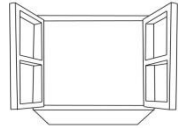

### II/ Correct the sentences and rewrite

0. Hello, my name's rosy.                      Hello, my name's Rosy.
1. How are you ? I'm five.                      I'm fine.
2. It's a elephant.                              It's an elephant.
3. She's her uncle.                              He's her uncle.
4. This is my T – shirts.                      This is my T- shirt.
5. Where are the bedroom ?                      **Where is the bedroom?**  
Where are the bedrooms?
6. What's your favorite toy ? It's red.      What's your favorite color ?
7. I want an icecream.                              I want an ice cream.
8. Are these his shoe?                              Are these his shoes?

**III/ Read and tick ✓ the correct box**

0. <input type="checkbox"/> a. It's a book. <input checked="" type="checkbox"/> b. It's a bag.	
1. <input type="checkbox"/> a. It's a eraser. <input checked="" type="checkbox"/> b. It's an eraser.	
2. <input type="checkbox"/> a. These are my finges. <input checked="" type="checkbox"/> b. These are my fingers.	
3. <input checked="" type="checkbox"/> a. It's sunny. <input type="checkbox"/> b. It's raining.	
4. <input checked="" type="checkbox"/> a. He's my grandpa. <input type="checkbox"/> b. He's my brother.	
5. <input type="checkbox"/> a. Open your book. <input checked="" type="checkbox"/> b. Close your book.	
6. <input type="checkbox"/> a. These are pant. <input checked="" type="checkbox"/> b. These are pants.	
7. <input checked="" type="checkbox"/> a. I live in an apartment. <input type="checkbox"/> b. I live in a house.	
8. <input type="checkbox"/> a. She's a farmer. <input checked="" type="checkbox"/> b. He's a farmer.	

**IV/ Unscramble the words**

 0. xob - box	 1. bulremla <u>umbrella</u>	 2. diwonw <u>window</u>	 3. panlomcei <u>policeman</u>
	4. rendu <u>under</u>	5. sone <u>nose</u>	6. neque <u>queen</u>